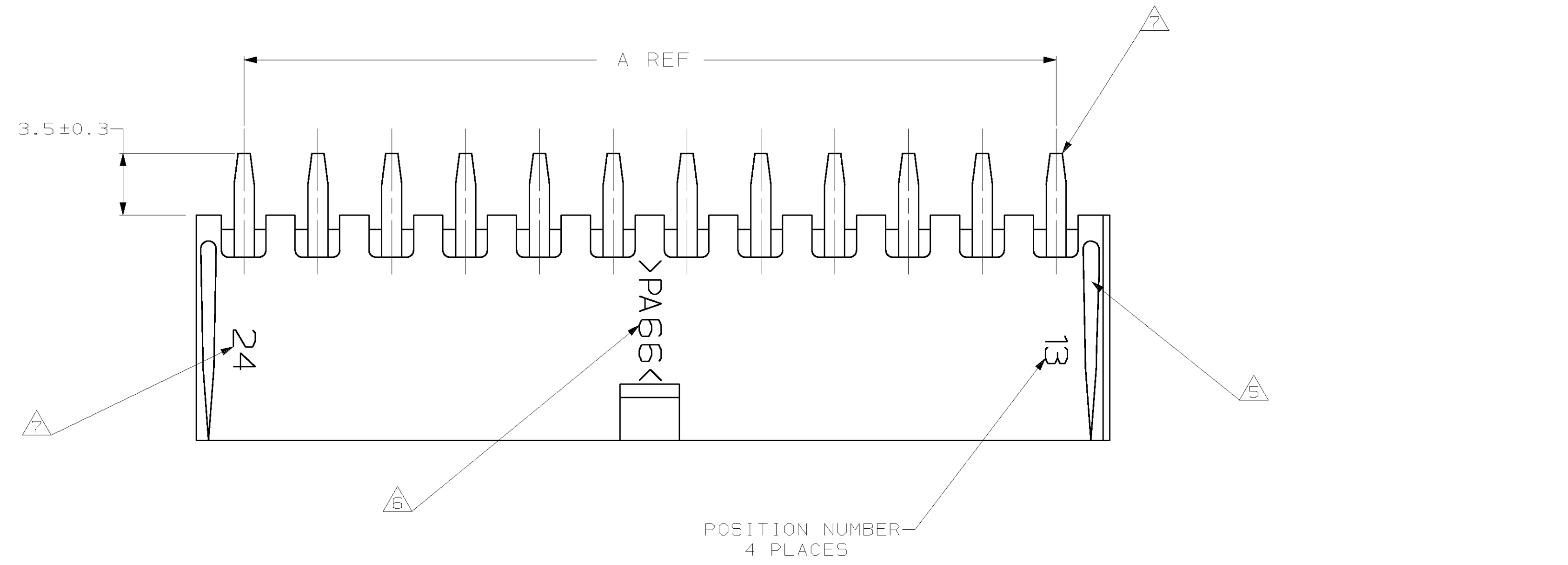
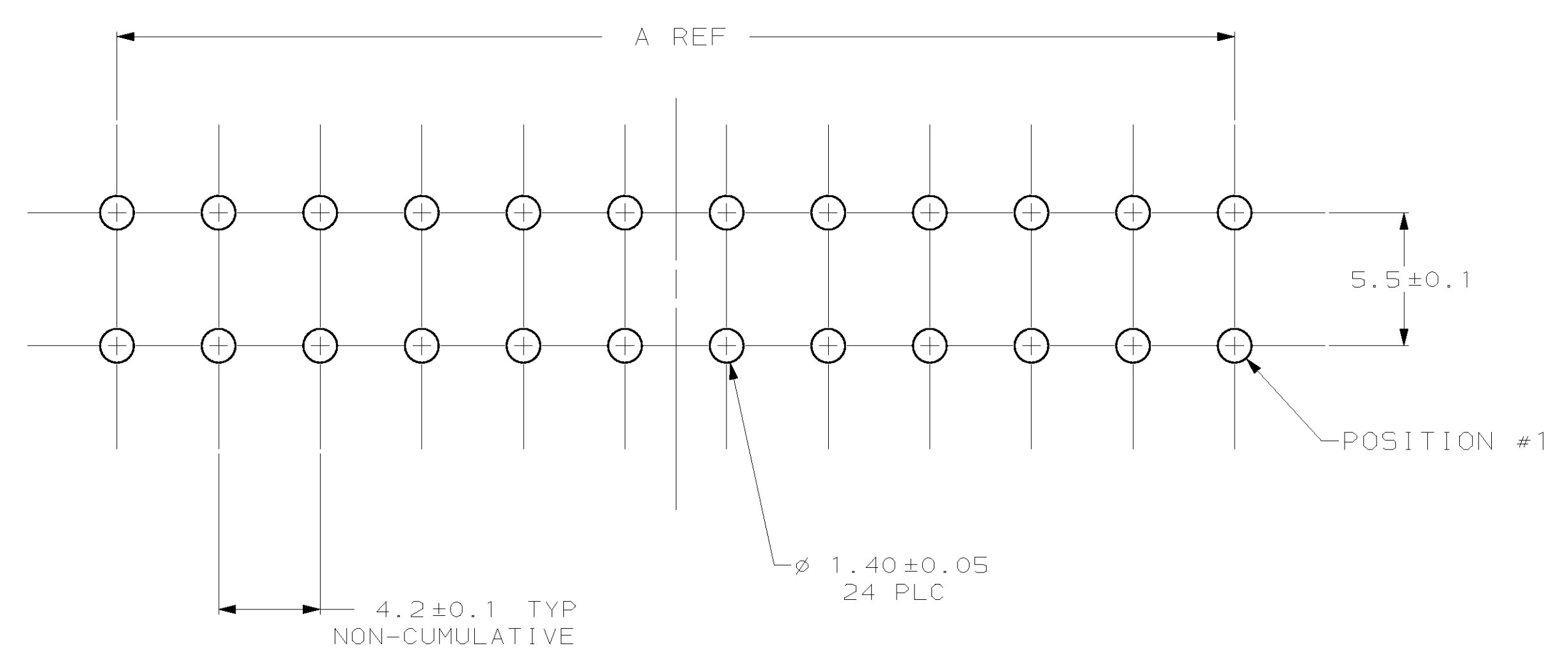
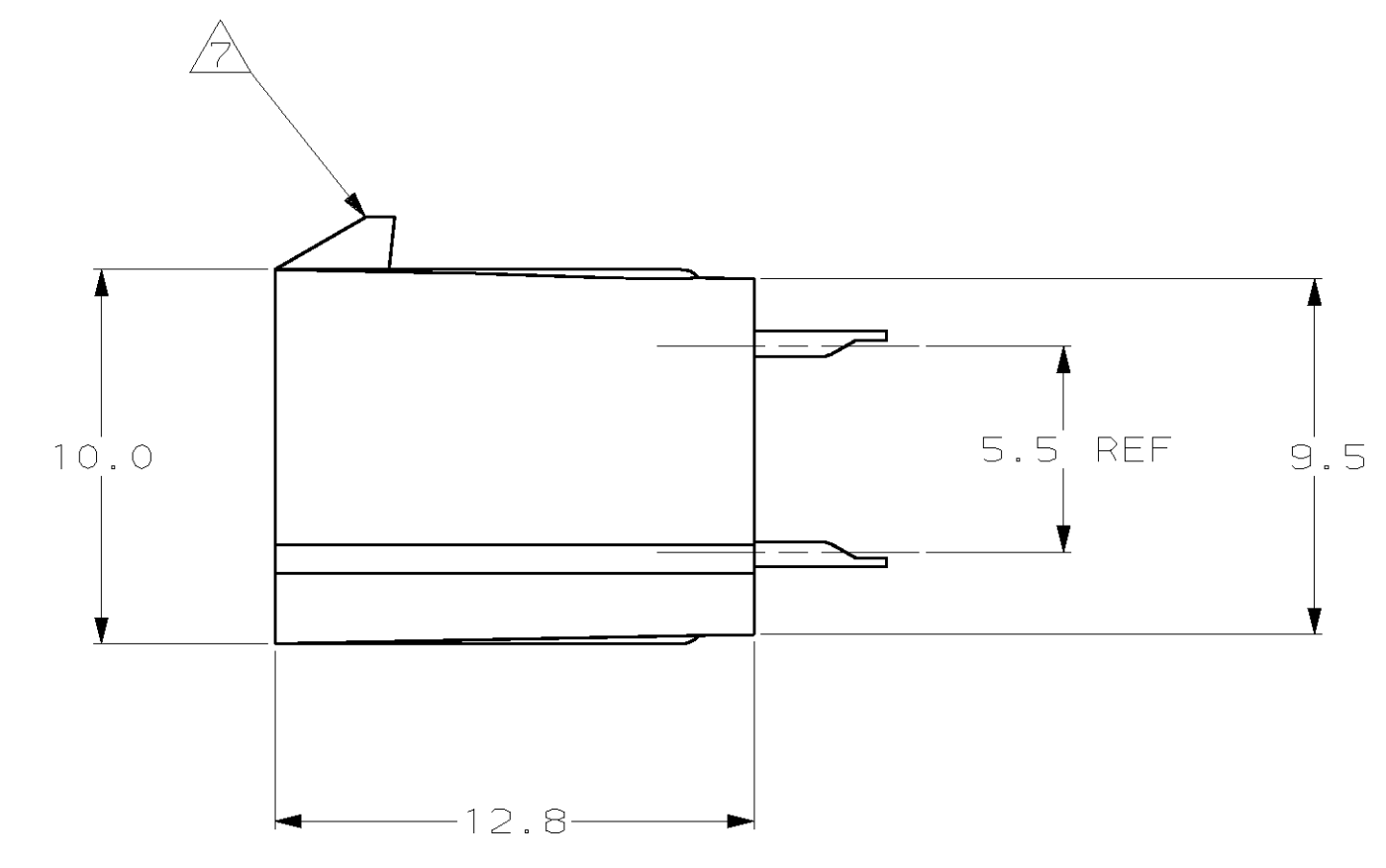
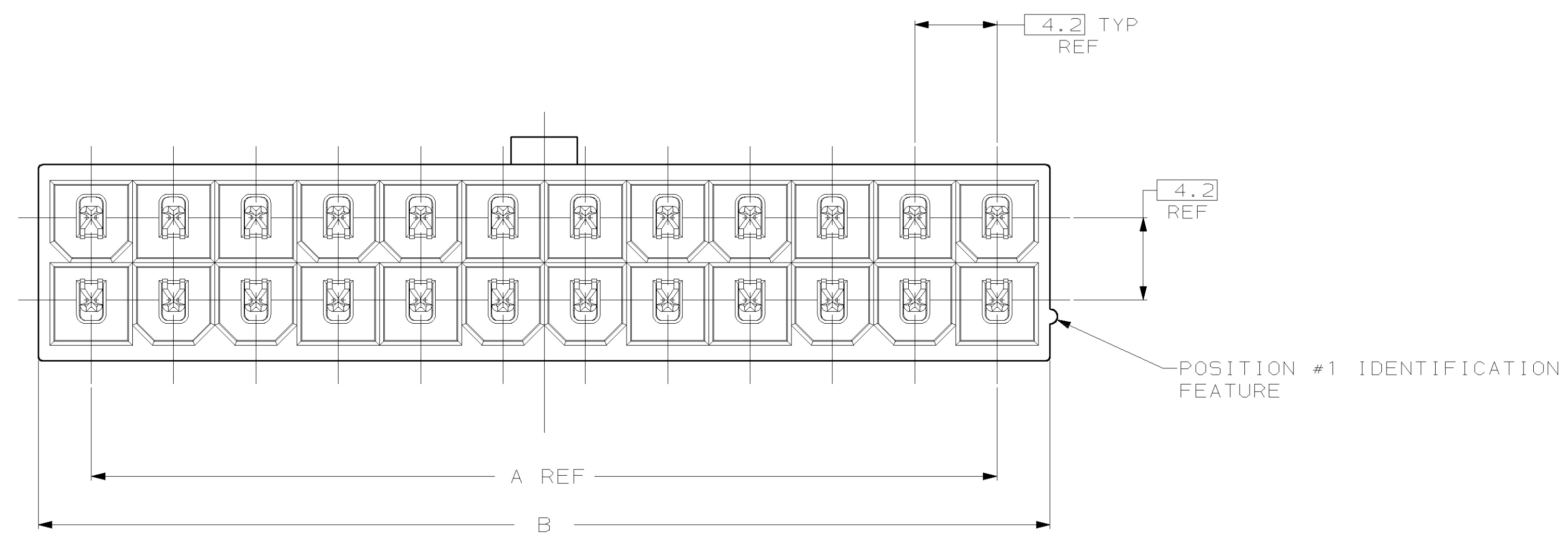


REVOLUTIONS		DATE	OWN	APPROV
CM	53	0	RELEASED PER NPR 99-	12MAY99 AH CC



- 1 MATERIAL: HOUSING - NYLON, UL94V-2 (COLOR - NATURAL, COLOR OF PARTS MAY VARY). CONTACTS - 0.25 THK COPPER ALLOY.
- 2 CONTACT FINISH: 0.003 MIN THK TIN-LEAD OVER 0.00127 MIN THK NICKEL OVER ENTIRE CONTACT.
- 3. SOLDER TAIL MEETS AMP SOLDERABILITY SPECIFICATION 109-11-2.
- 4. MATES WITH SIMILARLY PLATED AMP-DUAC™ POWER CONNECTOR RECEPTACLE HOUSINGS/SOCKET CONTACTS.
- 5 RIBS ON FOUR CORNERS OPTIONAL.
- 6 AMP LOGO AND MATERIAL ID MAY BE LOCATED ON EITHER LONG SIDE OF PART.
- 7 SIZE, SHAPE OR STYLE OF THIS FEATURE MAY VARY.



RECOMMENDED MOUNTING HOLE PATTERN FOR 1.78 MAX THICK P.C. BOARD COMPONENT SIDE SHOWN

51.6	46.2	24	2-794664-4
47.4	42.0	22	2-794664-2
43.2	37.8	20	2-794664-0
39.0	33.6	18	1-794664-8
34.8	29.4	16	1-794664-6
30.6	25.2	14	1-794664-4
26.4	21.0	12	1-794664-2
22.2	16.8	10	1-794664-0
18.0	12.6	8	794664-8
13.8	8.4	6	794664-6
9.6	4.2	4	794664-4
5.4	0.0	2	794664-2
B	A	NO. OF POSITIONS	PART NO

THIS DRAWING IS A CONTROLLED DOCUMENT.

DIMENSIONS:	TOLERANCES UNLESS OTHERWISE SPECIFIED:	DWN: A. HOLT 12 MAY 99	AMP Incorporated Harrisburg, PA 17105-3608
mm	0 PLC ±	CHK: C. CASH 12 MAY 99	AMP
	1 PLC ±0.2	APPROV: C. CASH 12 MAY 99	ASSEMBLY, HEADER, VERTICAL, TIN-LEAD PLATED, W/O PEGS, W/O DRAIN HOLES, 94V-2, AMP-DUAC™ POWER CONNECTOR
	2 PLC ±0.13	PRODUCT SPEC: 108-1699	
	3 PLC ±	APPLICATION SPEC:	
	4 PLC ±	SIZE: A1	00779
	ANGLES ±° 30'	WEIGHT: -	794664
MATERIAL: 1	FINISH: 2	CUSTOMER DRAWING	SCALE: 5:1 SHEET: 1 OF 1 REV: 0

